

Quick-Lift Rail

QLR 300i



Intelligent lifting device which meets the highest standards of ergonomics, working environment, safety and efficiency.

Unique integrated mechanical, electrical, pneumatic swivel enables continuous rotation of end effector.

Easy to use, thanks to outstanding responsiveness, regardless of load weight.

Exceptional safety is achieved using our intelligent control systems.

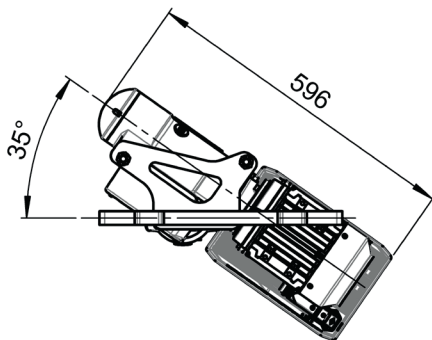
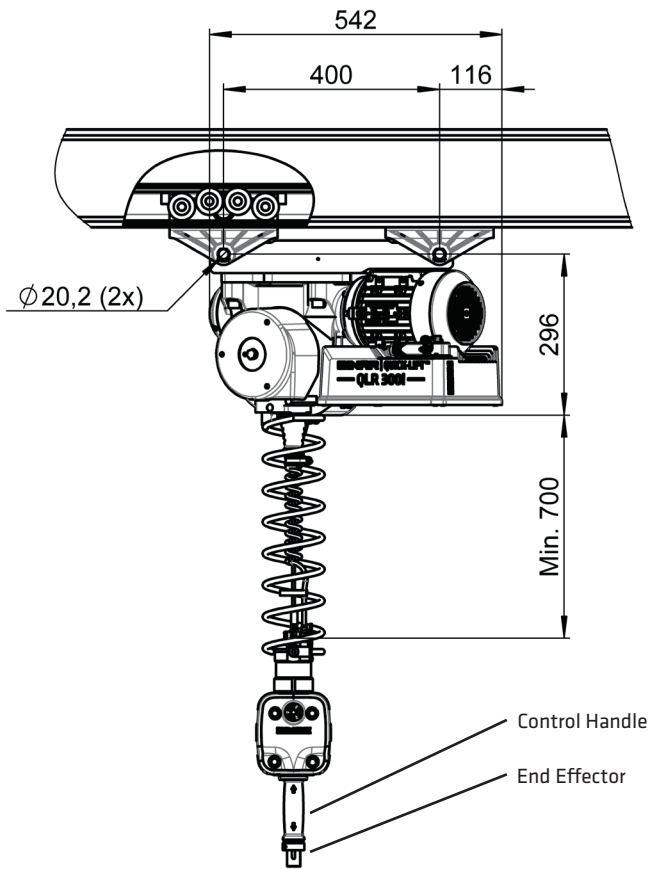
High cost efficiency through low power consumption, high reliability and long durability.

UK distributor

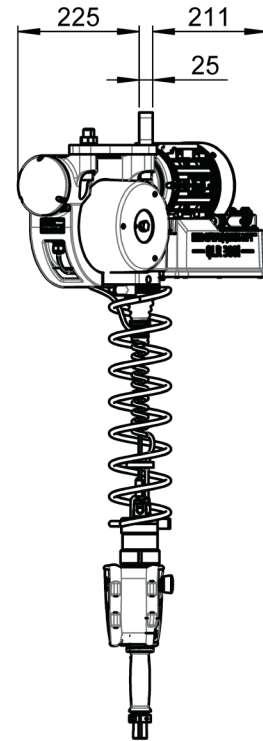


BINAR
Improving your productivity

Quick-Lift Rail



QLR 300i



TECHNICAL DATA QLR 300i

Lifting capacity	Max 300 kg
Stroke length	2,7 meter
Lift motor	Stepless servo-controlled asynchronous motor
Weight	41 kg
Power supply	230V, 50-60 Hz, 1-phase with ground protection, 10A
Attachment	The QLR 300i can be mounted in the most types of rail systems. Existing rail systems can often be used.
Manoeuvring	<p>Manoeuvring is done by using a patented control handle or balancing mode. Both options sense the operator's hand/arm movement and give a very exact and smooth speed control.</p> <p>Only a small force is needed to engage the up/down motion. When the operator let go of the handle, the up/down motion is immediately stopped.</p>
End effector	<p>End effectors are designed to fit customer's need.</p> <p>Intelligent I/O signals are available for optimum functionality.</p>

Binar Quick-Lift Systems AB disclaims responsibility for any errors or incomplete information in the published material and reserves the right to make changes

UK Distributor

Andron Handling Limited

Unit 7, Globe Business Park • First Avenue • Marlow • Buckinghamshire SL71YA • UK

telephone: +44 0845 075 8200 • e-mail: sales@andronhandling.com

www.andronhandling.com

2019-10-24 EN 3.0

BINAR

Improving your productivity